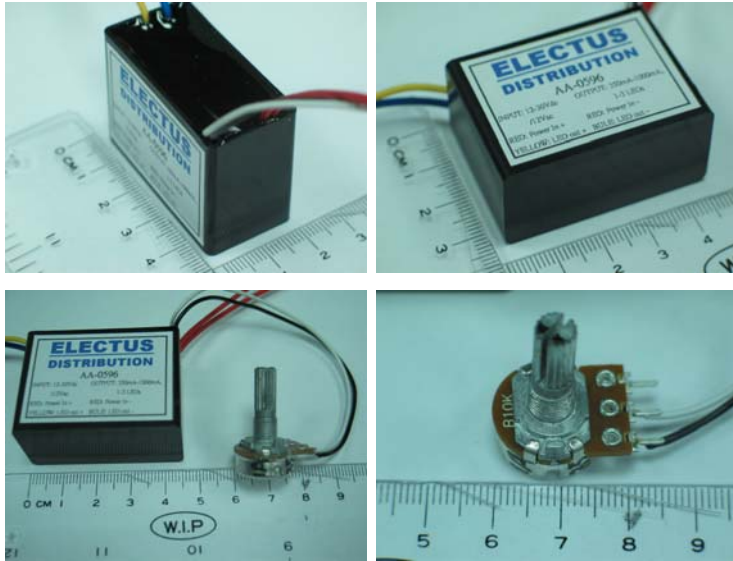


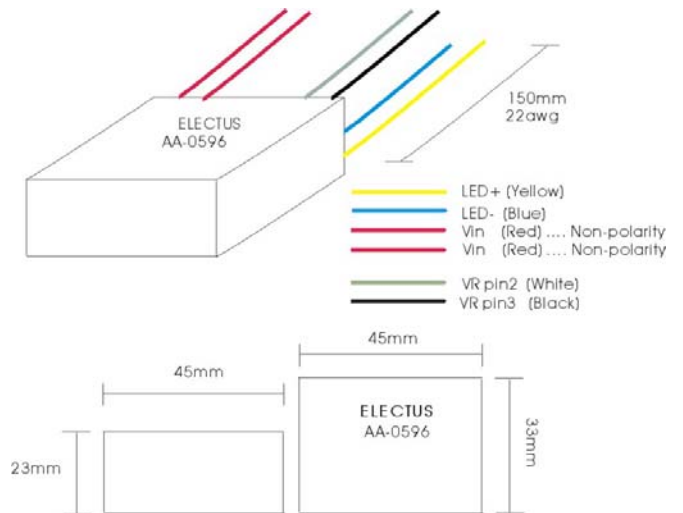
**Part No : AA-0596**

**LED driver module for Family lighting**

Item :



Dimension :



**Description :**

The AA-0596 is a versatile driver solution for high powered LEDs. It's small size makes it easy to use in a wide variety of LED lighting applications with a wide range voltage input .

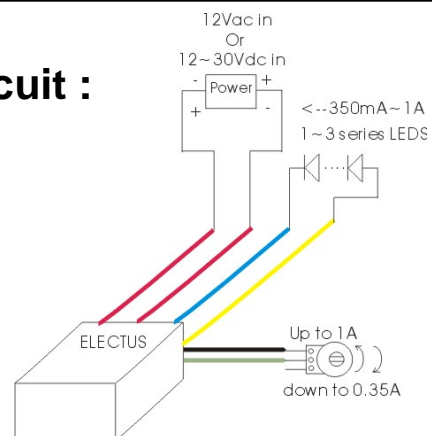
**Applications :**

- \*LED room light with dimming
- \*LED outwall light with dimming
- \*LED desk light with dimming
- \*Powered by MR16 linear transform (12Vac)

**Features :**

- \*Dimming current : 350mA ~ 1A ± 10%
- \*Driver high power LED : 1 ~3 series
- \*Output Power up to 10W
- \*Small package
- \*UL-94 non-conducted case

**Circuit :**



Parameters	Symbol	Value	Unit
Input Voltage	Vin	12.0 ~ 30.0Vdc / 12Vac	V
Output Voltage	VF	3.2 ~ 9.9	V
Dimming current	Idimming	350 ~ 1000	mA
Output Power ( Maximum )	Wo ( max )	10.0	W
Operation temp (°C)	* Toper	-20 ~ 60	°C

\* All components is -20 ~ 105 °C

Distributed By:  
Electus Distribution Pty Ltd  
320 Victoria Road  
Rydalmere, NSW 2116 Australia  
Tel: 1300 738 555  
Fax: 1300 738 500